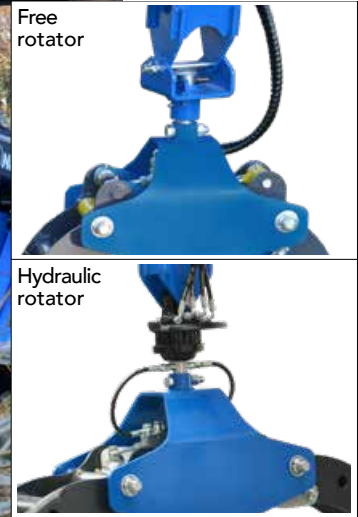
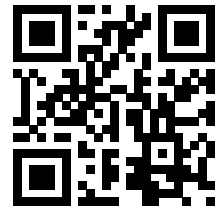


TIMBER GRAB

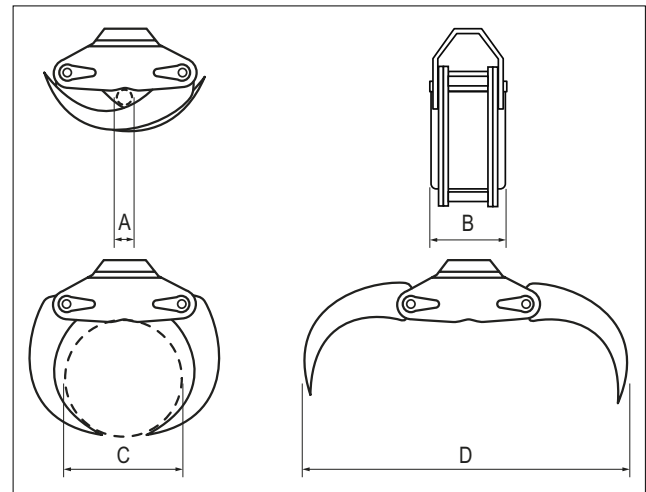
<http://tiny.cc/timbergrab>



FEATURES & BENEFITS

- Available with hydraulic rotator or as freely rotating version
- Versatile attachment for transporting and loading of timber, branches, etc.
- Load holding valve
- Rotating grab allows transporting also lengthwise - makes it possible to pass through narrow places with long logs and facilitates work in dense forest

Timber grab is an attachment that allows you to grab tree trunks, branches, wood waste, kerb stones etc. and transport them both lengthwise and crosswise. This makes it possible to pass through narrow places also with long logs and enables loading on trailer or on a pile in any direction. It is equipped with an upper tooth bar to move the branches and a lower one that avoids the trunk swinging during transport. Timber grab is available either with a hydraulic rotator or as freely rotating version.



	Dimensions (cm/in)			
Model	A	B	C	D
100	6,5 / 2.6	31 / 12.2	41 / 16	100 / 39.4
120	8 / 3.1	36 / 14	45 / 17.7	120 / 47

Model	Lifting Capacity*	Max Opening Length	Weight	Code
Timber grab 100	1000 kg (2204 lbs)	100 cm (39.4 in)	170 kg (375 lbs)	C890583
Timber grab 120	1500 kg (3037 lbs)	120 cm (47 in)	207 kg (456 lbs)	C890584
Timber grab 120 w/rotator	1500 kg (3037 lbs)	120 cm (47 in)	192 kg (423 lbs)	C890586
Pull bars (set of 2)	/	/	4 kg (9 lbs)	C890587

(* verify the lifting capacity of the machine)

Compatibility	1.1	2.3	4.2	5.2	5.3	6.3	7.2	8.4	8.5	11.6	11.9	EZ5	EZ7 EZ8
Model													
Timber grab 100													
Timber grab 120													
Timber grab 120 w/rotator													



Very compatible Compatible Not compatible