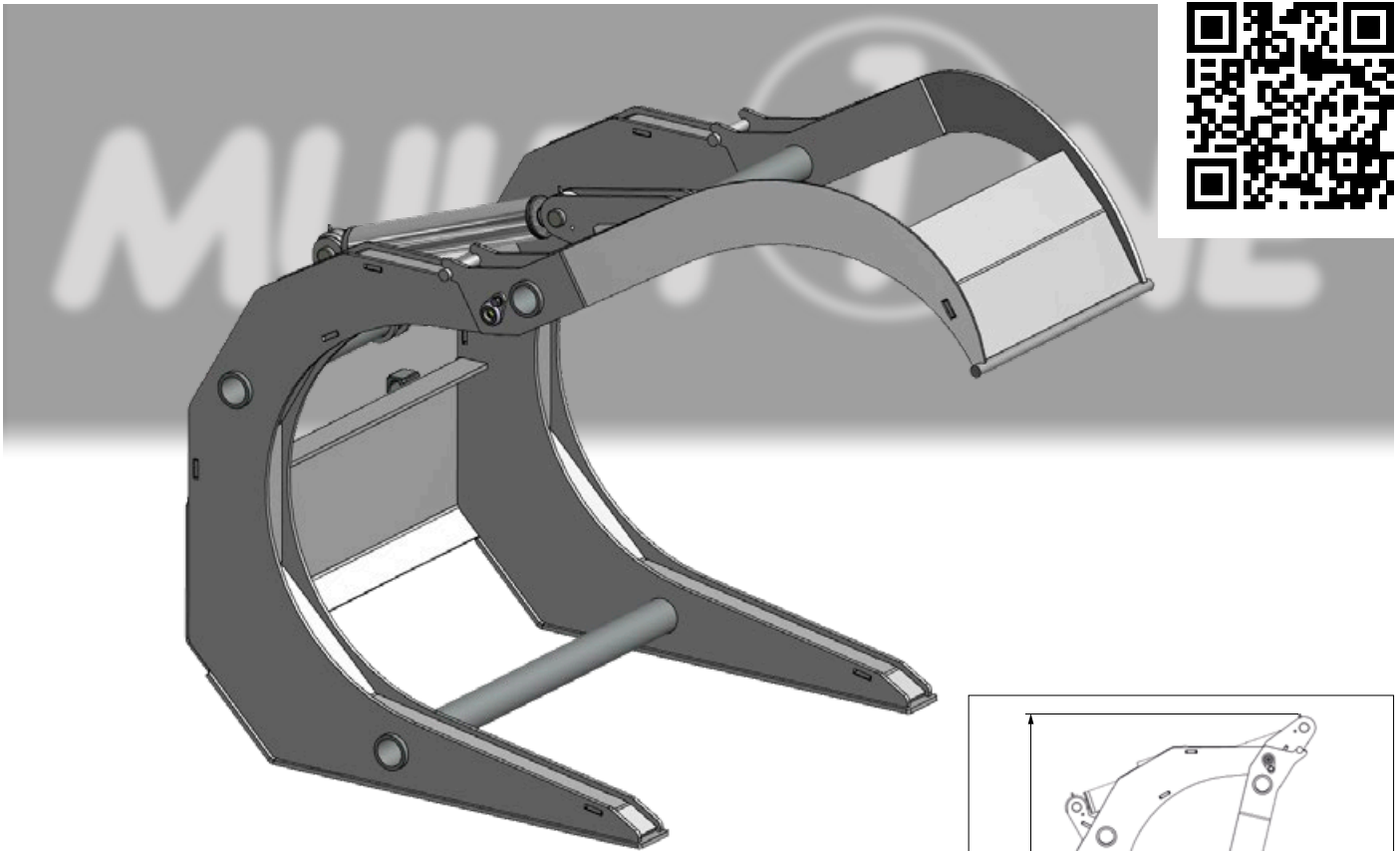


INDUSTRIAL LOG GRAPPLE

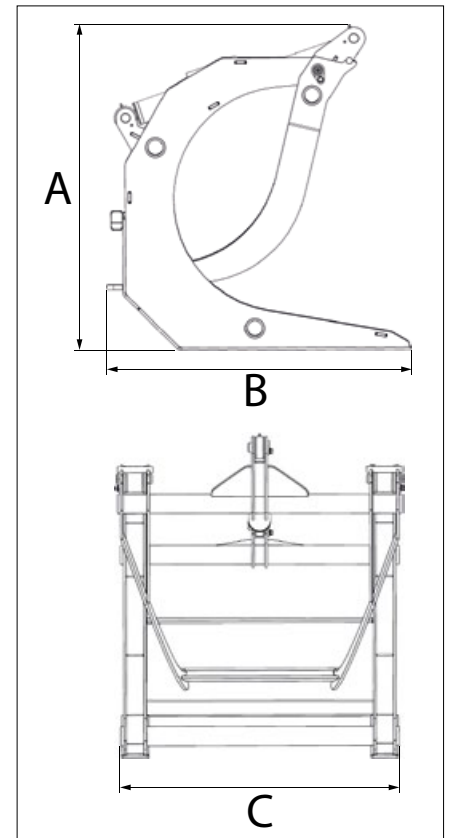
<http://tiny.cc/industrialloggrapple>



FEATURES & BENEFITS

- Strong hydraulic curved jaw
- Wide jaw opening
- Heavy duty design allows grabbing of bigger tree trunks
- Ideal for grabbing and transporting logs but also big stones

Multione industrial log grapple is intended for lifting and transporting logs, firewood branches or also big stones...anything that fits! The grapple is designed to ensure steady grabbing of logs of different diameters. It has a powerful hydraulic upper jaw, which also ensures secure holding of long logs. In addition, this attachment can hold single or multiple logs with ease. This is due to the unique optimally curved jaw which allows the logs to roll right up the inner surface of the beak. It is ideal for land clearing and logging operations where time and money are crucial, and space is limited. Strong and durable design guarantees long service life of the attachment.



Dimensions (cm/in)		
A	B	C
100 / 39	95 / 37	90 / 35

Model	Max Load*	Log diameter (min÷max)	Weight	Code
Industrial log grapple	2000 kg (4400 lbs)	30÷70 cm (12÷27 in)	180 kg (397 lbs)	C891090

(* verify the lifting capacity of the machine)

Compatibility	1.1	2.3	4.2	5.2	5.3	6.3	7.2	8.4	8.5	11.6	11.9	EZ5	EZ7 EZ8
	Very compatible				Compatible				Not compatible				

