






8 SERIES: 8.5 Y - STAGE IIIA<http://tiny.cc/8seriesEN>**NEW**

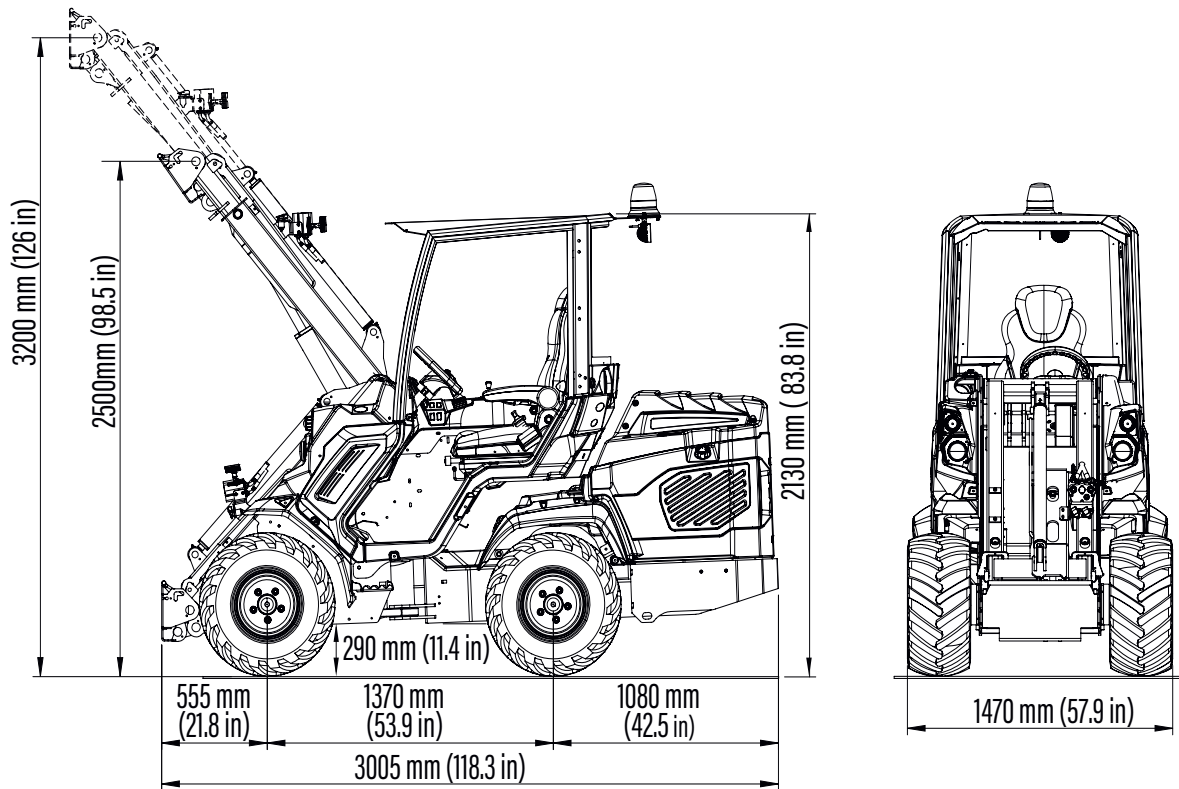
 MAX LIFTING CAPACITY 1640 kg	 ENGINE POWER 50 hp 37,2 kW	 SPEED 16 km/h	 FLOW RATE 80 l/min	 LIFT HEIGHT 3,2 m
---	--	---	--	---

**ACI**
ATTACHMENT
CONTROL
INTERFACE**ONE**
DRIVE**C**RUISE
CONTROL

Model	8.5 Y
Engine	Yanmar 4TNV88 - 4 cylinder - 2190 cc
Emission Standards	Stage IIIA
Power (Iso Gross) / Torque	37,2 kW - 50 HP / 140 Nm @ 1200 rpm
Fuel	Diesel
Transmission	Hydrostatic OneDrive
Drive speed (max.) ⁽¹⁾	16 km/h (10 mph)
Aux. hydraulics oil flow	80 l/min (21 GPM)
Max. lifting height	3,2 m (126 in)
Tipping load, max. ⁽²⁾	2050 kg (4520 lbs)
Lifting capacity straight, max. ⁽³⁾	1640 kg (3615 lbs)
Breakout force / 50 cm	1700 kg (3748 lbs)
Pushing force (c)	2190 kgf (2190 kp)
Average ground pressure (w/std tires)	868 kg/m ² (178 lbs/sqft)
Turning radius: inside/outside	820/2295 mm (32.2/90.3 in)
Standard tires (Tractor profile)	400/50-15 (31x15.50-15) ET-100
Weight	1750 kg (3858 lbs)
Product Code	C964030

⁽¹⁾ Maximum speed that can be achieved with the largest diameter tires available, on a flat surface and machine without attachments.⁽²⁾ Tipping limit, when the machine is straight, with rear weights and boom lifted just off the ground. Weight of attachment included.⁽³⁾ Maximum load that can be lifted just off the ground when the machine is straight and with rear weights. Weight of attachment is included.

Note: Refer to the Operator's manual for the comprehensive load diagram.



Tires size	Height	Width
400/50-15 (31X15.50-15) ET-100	2130 mm (83.8 in)	1470 mm (57.9 in)

FEATURES

- Yanmar 4TNV88 4 cyl., 2190 cc, diesel engine, water cooled with electric start, glow plug
- STAGE IIIA
- **OneDrive System:** DBS (Dynamic Block System) and Cruise Control (optional) activated by Joystick
- ACI with Multi-functions joystick (22 functions)
- Unbreakable Body Panels
- Hydraulically pilot operated variable displacement drive pump
- Hi-Flow system
- Self-locking multi-disk parking brake
- Self-levelling double-H telescopic boom
- Radial Piston high efficiency and heavy duty wheel motors
- 4WD hydrostatic Direct Drive motors, proportional servo control
- Hydraulic oil cooler
- Hydraulic multiconnector
- ROPS-FOPS Level I
- LCD graphic display with programmed service
- 2 front working light
- Ergonomic fully adjustable suspension heated seat with armrests and seat belt

8 SERIES - OPTIONS

Options	Code
110 V engine block heater	C885255
220 V engine block heater	C885250
2" Hitch receiver (not compatible with C883036 and C883066)	C883062
3 additional working halogen light	C883064
3 additional working LED light	C883018
A/C system with heating for fully enclosed cab - for 8.5 Y (C883001 required - not aftermarket)	C883900
Additional front hydraulic outlets	C883024
Attachment coupling plate for rear mounting (not compatible with C883036 and C883066)	C880031
Automatic locking plate	C880015
Backup warning beeper	C883021
Beacon light	C883039
Cruise Control for 8.5 Y	C883081
Driver area cover	C880049
Flat face coupling kit	C880221
Floating boom valve	C883011
Fully enclosed cab with sound insulation linen	C883001
GPS tracker	C883075
Heating system for 8.4S K and 8.5 Y	C883072
Left protection bar for operator	C883030
Mirrors	C880081
Polycarbonate back window (smart cabin)	C883035
Polycarbonate right side (smart cabin)	C883034
Polycarbonate windscreen (smart cabin)	C883000
Rear 12V electric socket for 8.4 SK	C883022
Rear 12V electric socket for 8.5 Y	C883023
Rear bull bar with side extensions (not compatible with C883062-C885014-C880031) for 8.4S K	C883036
Rear bull bar with side extensions (not compatible with C883062-C885014-C880031) for 8.5 Y	C883066
Rear hydraulic outlets - double for 8.4S K	C883014
Rear hydraulic outlets - double for 8.5 Y	C883805

8 SERIES - OPTIONS

Options	Code
Rear hydraulic outlets - single for 8.4S K	C883013
Rear hydraulic outlets - single for 8.5 Y	C883015
Rear side weights 80 kg (40 kg + 40 kg) / 176 lbs (88 lbs + 88 lbs)	C883069
Rear side weights 160 kg (2x40 kg + 2x40 kg) / 352 lbs (2x88lbs+2x88lbs)	C883077
Rear weights 180 kg (90 kg + 90 kg) / 396 lbs (198lbs + 198 lbs)	C880054
Skid tires 27x10.50-15, set of 4 for 8.4S K	C884012
Skid tires 27x8.50-15, set of 4 for 8.4S K	C884011
Snow chains for wheels 23x10.50-12, set of 2	C880046
Snow chains for wheels 23x8.50-12, set of 2	C880041
Snow chains for wheels 26x12.00-12, set of 2	C880042
Snow chains for wheels 27x8.50-15, set of 2	C880045
Tie down bracket on wheel hub, set of 4	C883065
Tractor tires 23x10.50-12 ET-25, set of 4 for 8.4S K	C884007
Tractor tires 23x8.50-12, set of 4 for 8.4S K	C884005
Tractor tires 26x12.00-12 ET-50, set of 4 for 8.4S K	C884009
Trailer coupling (not compatible with C883036 and C883066)	C885014
Turf tires 23x10.50-12 ET-25, set of 4 for 8.4S K	C884008
Turf tires 23x8.50-12, set of 4 for 8.4S K	C884006
Turf tires 26x12.00-12 ET-50, set of 4 for 8.4S K	C884010
Turf tires 400/50-15 (31x15.50-15 ET -100), set of 4 for 8.5 Y	C884014
Warning & Safety lights for road travel (with mirrors)	C883009
Wheel spacer 10 mm (0.4 in), set of 4 (max. 1 pcs for wheel) (not with 400/50-15 ET-100)	C880090
Wheel spacer 55 mm (2.2 in), set of 4 (not with 400/50-15 ET-100)	C885010