

TELESCOPIC SIDE ARM M1-15

<http://tiny.cc/sidearmm1-15>



ACI ATTACHMENT CONTROL INTERFACE

FEATURES & BENEFITS

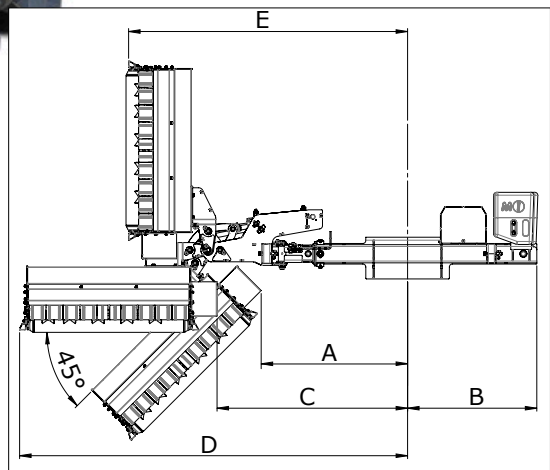
- Outreach to side up to 3,72 m
- Easy mowing or trim on the right side
- ACI: control all movements on a fingertip

The telescopic side arm is equipped with a straight telescopic arm and a tilting jib arm. The telescopic arm extends 1,05 m hydraulically to the side, and the jib arm movement is 45° down and 90° up from the horizontal position.

The attachment, mounted on the side arm, will give in backward when it hits an obstacle. The side arm will come back to normal position as soon as the obstacle is out of the way.

MultiOne rear side weight C883077 it is necessary.

Note: machine must be equipped with ACI.



Dimensions (cm / in)			
	C890611	C890612	C890950
A	98-203 / 38.5-80		102-207 / 40-81.5
B	87 / 34.5		
C	128-233 / 50.5-91.5		117-222 / 46-87.5
D	240-345 / 94.5-135.8	260-365 / 102.5-143.5	267-372 / 105-146.5
E	187-292 / 73.5-115		162-267 / 64-105

Model	Max. Offset	Cutting Width	Max. cutting diameter	Tools	Weight	Code
Telescopic Side Arm M1-15 (*)	105 cm (41.5 in)	/	/	/	250 kg (551 lbs)	C890551
1 Branch cutting bar 150 (**)	/	150 cm (59 in)	5 cm (2 in)	/	155 kg (342 lbs)	C890950
2 Flail mower 80 (**)	/	80 cm (31.5 in)	2 cm (0.8 in)	16	105 kg (232 lbs)	C890611
3 Flail mower 100 (**)	/	100 cm (39.4 in)	2 cm (0.8 in)	20	155 kg (342 lbs)	C890612
Options						
Rear side weights 160 kg	/	/	/	/	160 kg (352 lbs)	C883077

(*) C890950 or C890611 or C890612 required

(**) C890551 and C883077 required

Compatibility	1.1	2.3	4.2	5.2	5.3	6.3	7.2	8.4	8.5	11.6	11.9	EZ5	EZ7 EZ8
M1-15 with:													
Branch cutting bar 150													
Flail mower 80/100													

Very compatible Compatible Not compatible

