






## 2 SERIES

<http://tiny.cc/multione2-2EN>


 TIPPING LOAD <b>530</b> kg	 ENGINE POWER <b>25</b> hp	 SPEED <b>15</b> km/h	 FLOW RATE <b>42</b> l/min	 LIFT HEIGHT <b>1,6</b> m
---	---	---	--	---

Tires size	Width (N)	Height (Q)
20x8.00-10	1035 mm (40.7 in)	1948 mm (76.7 in)
23x8.50-12	1048 mm (41.2 in)	1986 mm (78.2 in)

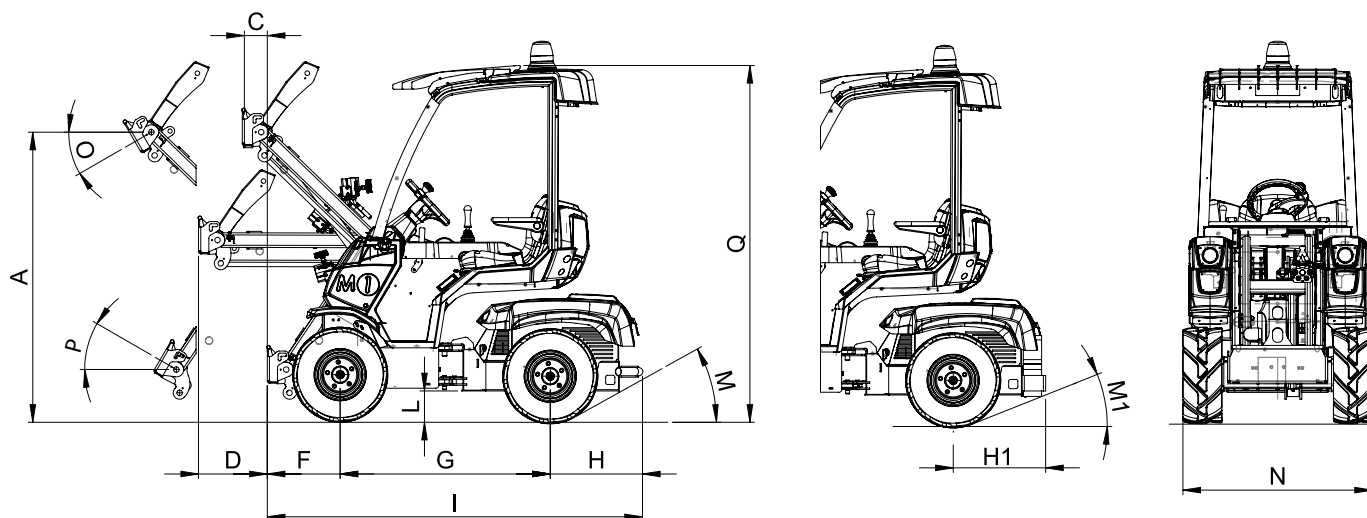
Model	2.3
Engine	B&S Vanguard 8270
Power (Iso Gross)	25 HP
Fuel	Petrol
Transmission	Hydrostatic
Drive speed (max.)	15 km/h (9.3 mph)
Aux. hydraulics oil flow	42 l/min (11.1 GPM)
Max. lifting height	1,6 m (63 in)
Tipping load, max <sup>(1)</sup>	530 kg (1168 lbs)
Lifting capacity straight <sup>(2)</sup>	420 kg (926 lbs)
Lifting capacity fully articulated <sup>(3)</sup>	340 kg (750 lbs)
Breakout force / 50 cm (19.7 in)	500 kg (1102 lbs)
Pushing force (c)	800 kgf (800 kp)
Specific ground pressure (w/standard tires)	610 kg/m <sup>2</sup> (125 lbs/sqft)
Turning radius: inside/outside	700/1698 mm (27.6/66.9 in)
Standard tires (Tractor profile)	20x8.00-10
Weight	700 kg (1543 lbs)
Product Code	<b>C951027</b>
Price	

<sup>(1)</sup> Maximum load that can be lifted just off the ground when the machine is straight and with rear weights. Weight of attachment included.

<sup>(2)</sup> Machine straight, with rear weights. Weight of attachment is included. (80% of tipping load).

<sup>(3)</sup> Machine fully articulated, with rear weights. Weight of attachment is included.

## 2 SERIES - FEATURES AND OPTIONS



### DIMENSIONS (mm / in)

A - Pivot point height (not extended boom)	1584 / 62.3	L - Ground clearance	171 / 6.7
C - Outreach with lifted boom	125 / 4.9	M - Angle of departure	29°
D - Outreach with orizontal boom	375 / 14.7	M1 - Angle of departure with rear weights	21,5°
F - Front length	398 / 15.6	N - Max width (with standard tires)	1035 /40.7
G - Wheelbase	1147 / 45.1	O - Dump angle	40°
H - Rear length	504 / 19.8	P - Rollback angle	39°
H1 - Rear length with rear weights	504 / 19.8	Q - Height (with standard tires)	1948 / 76.7
I - Machine length	2049 / 80.6		

### Features

- 4WD hydrostatic Direct Drive motors, proportional servo control
- DBS (Dynamic Block System)
- Hydraulic oil cooler
- Hydraulic multiconnector
- Self-levelling H-frame boom
- 4-functions joystick
- ROPS-FOPS Level I
- 2 front working light
- Ergonomic seat with armrests and safety belt, adjustable position
- Mechanical parking brake

## 2 SERIES - FEATURES AND OPTIONS

Options		Code	Price
Driver area cover		C880049	
Flat face coupling kit		C880221	
Rear weights 84 kg (185 lbs)		C880234	
Trailer coupling		C880235	
Torque divider		C883004	
3 additional working LED light		C883018	
Backup warning beeper		C883021	
Beacon light		C883039	
3 additional working halogen light		C883064	
Biodegradable oil		C883200	
Tractor tires 23x8.50-12, set of 4		C884005	
Grass tires 23x8.50-12, set of 4		C884006	
Left protection bar for operator		C885027	
Grass profile tires 20x8.00-10, set of 4		C885211	
Fully enclosed cab with heating system and mirrors		C885224	
Heated seat		C885216	
Warning & Safety lights for road travel (with mirrors)		C885229	
Plexiglass windscreen (smart cabin)		C885237	
Plexiglass right side (smart cabin)		C885238	
Plexiglass back window (smart cabin)		C885239	
Snow chains for wheel		see page 60	
Machine packages		Code	Price
2.3	ALL SEASON: Fully enclosed cab with heating system and mirrors + Work light kit	C951027/AS	
	COMFORT: Heated seat + 3 additional working LED lights	C951027/C	