

SCREW FEED PUSHER

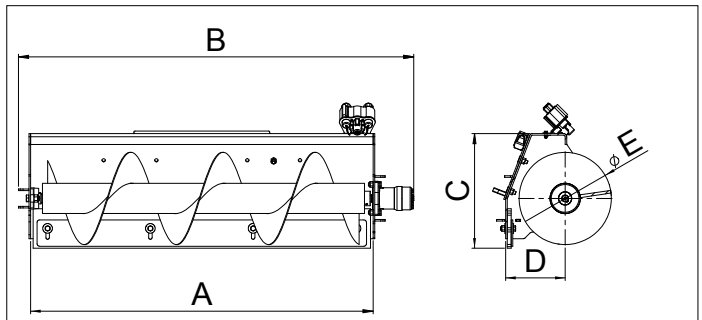


FEATURES & BENEFITS

- Fast and easy way of moving feed to the animals
- Discharge in the right side
- High efficiency, also on larger farms
- Rear rubber scraper blade

Efficient way of moving uneaten feed back in front of the cattle. When moving, the screw mixes the feed and the fresh feed remains on top.

With the screw feed pusher drive speed can be higher. The rubber scraper blade at the rear of the attachment cleans the floor very efficiently. Once worn out, the rubber blade can be disassembled and reassembled backwards or replaced.



		Dimensions				
		A	B	C	D	E
cm		130	150	44	23	35
in		51.2	59	17.1	8.9	13.8

Model	Working Width	Height	Weight	Code
Screw Feed Pusher	130 cm (51.2 in)	44 cm (17.3 in)	115 kg (254 lbs)	C890250

Compatibility	1.1	2.3	4.2	5.2	5.3 7.2	6.3	7.3	8.4	8.5 9.5	9.6	10 11	6.3SD	7.3SD 8.4SD	9.5SD	12.4*	EZ

(*) C890025 adapter required



Very compatible
 Compatible
 Not compatible