

HYDRAULIC BIO SHREDDER

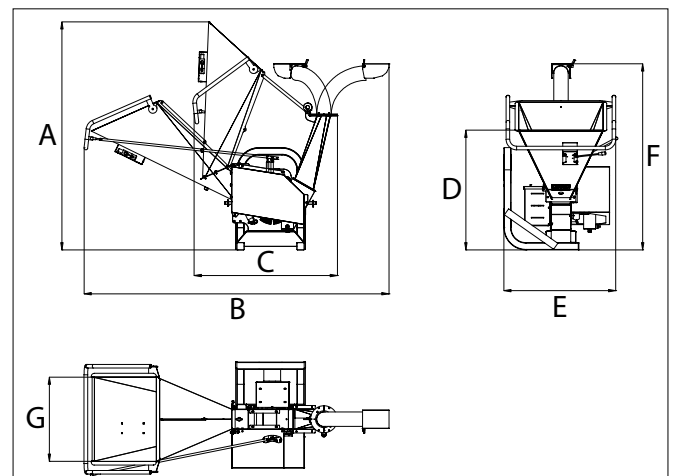


FEATURES & BENEFITS

- Compact dimensions
- Excellent tool for chipping branches and small tree trunks
- Manual feeding and discharge chute rotation
- Equipped with safety stop system
- Foldable for easy transport

The hydraulically powered chipper/shredder is a powerful tool for quickly reducing a pile of brush, garden waste, and tree limbs to reusable shredded mulch. Combined with the MultiOne, this chipper/shredder can work in areas not reachable with a traditional towed chipper.

The machine's design incorporates a feed roller that pulls the branches up to 90 mm (3.5 in) diameter into the chipper section in a controlled, safe speed. The chips are then processed by the shredder section, reducing the wood chips to mulch. The operator remains safely out of the way during the chipping/shredding process.



		Dimensions						
		A	B	C	D	E	F	G
cm		189	211	117	100	94	155	70
in		74.4	83	46	39.4	37	61	27.5

Model	Max timber diameter	Weight	Code
Hydraulic bio shredder	9 cm (3.5 in)	210 kg (463 lbs)	C890730

Compatibility	1.1	2.3	4.2	5.2	5.3	5.3	6.3	7.3	8.4	8.5	8.5	9.6	10	11	6.3SD	7.3SD	8.4SD	9.5SD	12.4*	EZ
	Very compatible	Very compatible	Very compatible	Very compatible	Very compatible	Very compatible	Very compatible	Very compatible	Very compatible	Very compatible	Very compatible	Very compatible	Very compatible	Very compatible	Compatible	Compatible	Compatible	Compatible	Not compatible	Not compatible

(*) C890025 adapter required

