

STRING SHOOT REMOVER

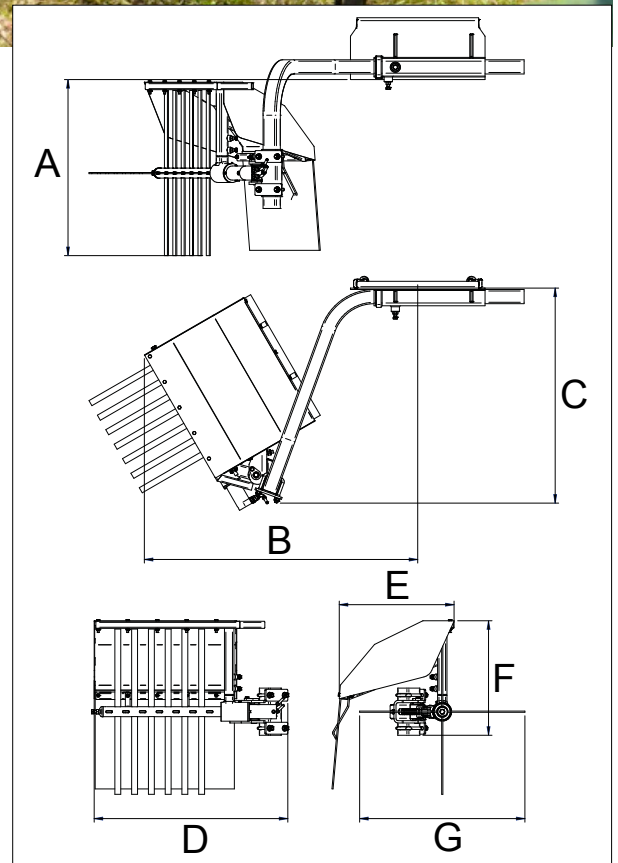


FEATURES & BENEFITS

- Low wear cutter string
- Variable offset (+-25 cm)
- Efficient and reliable

The MultiOne shoot remover is an ideal tool for the removal of weeds and plant shoots from around trees. Hydraulically powered, it gently removes the shoots without causing tree trunk damage.

The shoot remover frame can be offset to the right to allow for variable working conditions. Replacement of the long lasting rubber strings is quick and easy.



Dimensions (cm/in)						
A	B	C	D	E	F	G
75	116	91	82	49	49	70
29.4	45.7	35.8	32.3	19.3	19.3	27.6

Model	Rotor Length	Offset Max	Weight	Code
String shoot Remover	52 cm (20 in)	141 cm (in)	50 kg (110 lbs)	C890436

Compatibility	1.1	2.3	4.2	5.2	5.3	5.3	6.3	7.3	8.4	8.5	8.5	9.6	10	11	6.3SD	7.3SD	8.4SD	9.5SD	12.4*	EZ	

(*) C890025 adapter required

