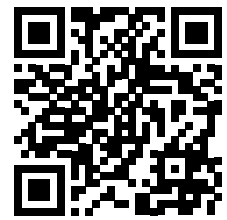


HEDGE CUTTER

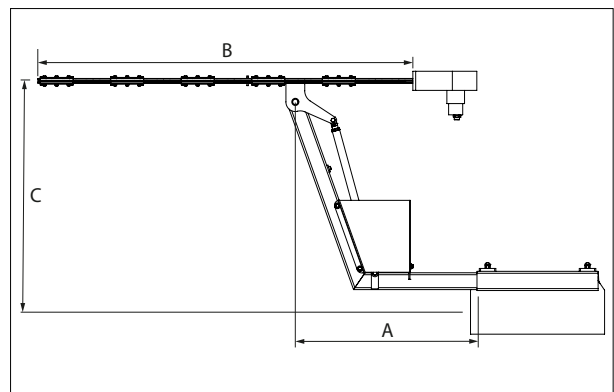
<http://tiny.cc/hedgecutter>



FEATURES & BENEFITS

- Cut angle electrically adjustable
- Time saving attachment
- Very high cutting quality
- Cutting bar is suitable for cutting fine leaves, as well as heavy growth

The hedge cutter is the perfect attachment for hedge cutting. The combination of the cutter arm angle adjustment and the MultiOne's boom provides excellent reach. Through using the speed and flexibility of MultiOne machines, cutting straight hedge profiles is quick and easy. Cutting bars available with 1 cm (0.4 in) or 3 cm (1.2 in) max. Cutting branches diameter Max. side shift 45 cm (17.7 in).



Mod.	Dimensions (cm/in)			
	A (min)	A (max)	B	C
10 - 160	35/13.8	80/31.5	160/63	100/39
30 - 160	35/13.8	80/31.5	160/63	100/39
10 - 210	35/13.8	80/31.5	210/83	100/39

Model	Hedge cutter length	Max. cutting diameter	Slewing angle	Weight	Code
Frame only (C890666, C890667 or C890668 required)	/	/	/	47 kg (104 lbs)	C890665
Hedge cutter 10 - 160 (C890665 required)	160 cm (63 in)	1 cm (0.4 in)	120°	34 kg (75 lbs)	C890666
Hedge cutter 30 - 160 (C890665 required)	160 cm (63 in)	3 cm (1.2 in)	120°	40 kg (88 lbs)	C890667
Hedge cutter 10 - 210 (C890665 required)	210 cm (83 in)	1 cm (0.4 in)	120°	44 kg (97 lbs)	C890668

Compatibility	1.1	2.3	4.2	5.2	5.3	6.3	7.2	8.4	8.5	11.6	11.9	EZ5	EZ7 EZ8
Model													
Hedge cutter 10 - 160													
Hedge cutter 30 - 160													
Hedge cutter 10 - 210													

Very compatible
 Compatible
 Not compatible

