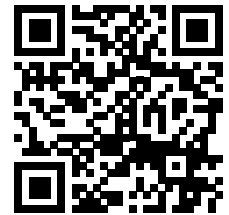


FORESTRY MULCHER

<http://tiny.cc/forestrymulcher>



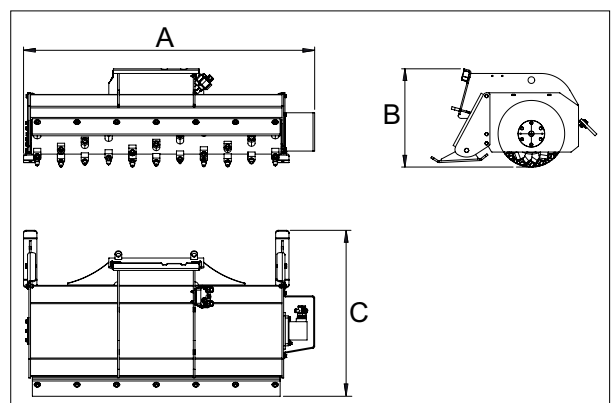
FEATURES & BENEFITS

- Heavy-duty soil conditioner - crush smaller roots, tree stumps and branches as well as ice and hard compact ground
- Carbide cutting teeth

The MultiOne forestry mulcher shows its versatility crushing forest residue, clearing land for site development, maintaining gravel roads, crushing ice, removing small roots and tree stumps as well.

Hydraulic motor is directly connected to eliminate transmission maintenance.

The rotor is equipped with replaceable and cost effective carbide cutting teeth



Dimensions (cm/in)		
A	B	C
175 / 69	59 / 23	100 / 39

Model	Width	Cutting Teeth	Rotor Width	Rotor Diameter	Weight	Code
Forestry Mulcher 150	175 cm (68.9 in)	66	150 cm (59 in)	40 cm (15.7 in)	390 kg (860 lbs)	C890970

Compatibility	1.1	2.3	4.2	5.2	5.3	6.3	7.2	8.4	8.5	11.6	11.9	EZ5	EZ7 EZ8
	Very compatible							Compatible			Not compatible		

